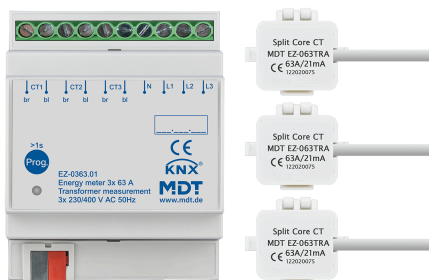


## EZ-0363.01

KNX Energy meter 3-channel 63 A, transformer measurement, 4 SU MDRC, 230/400 V AC



### Product description:

The MDT Energy Meter EZ measures both consumed and generated energy (for example from a photovoltaic system). In addition to simple current and active power measurement, the actuator registers the consumption costs and yields of the generated energy per main and intermediate meter. Measurement through split core current transformers 63 A for easy folding installation.

### Product functions:

- **3-phase bidirectional meter for active energy**
- **3 single split core current transformers 63 A for easy folding installation included in the packaging**
- **Energy Meter for single-phase or three-phase circuits**
- Measurement of the effective-/reactive and apparent power, voltage, current and power factor  $\cos \phi$
- **Separate metering of energy, consumed from and supplied to the grid (kWh)**
- **Integrated True RMS current measurement**
- **Current measurement range 30 mA ... 63 A**
- **Threshold switch (1 Byte/2 Byte/2 Byte float)**
- Main and intermediate meter
- 4 mm<sup>2</sup> connection terminals
- Cable length of the current transformers: 650 mm
- Fast application download (long frame support as of ETS 5)

## Technical data:

<b>Device</b>	Device type	EZ Energy Meter
	Article Number	EZ-0363.01
	EAN / GTIN	4251916130749
	Installation width	4 SU / 72 mm
	Dimensions (H x W x D)	90 x 72 x 65 mm
	Weight, gross (incl. packaging)	0.392 kg
	Protection classification	IP20
	Installation type	MDRC, DIN rail 35 mm
	Installation position	any
	Weight, net	0.337 kg
	Number of channels	3
	<b>Performance data</b>	Nominal voltage $U_n$
Nominal frequency		50/60 Hz
Power dissipation of the device, typical		$\leq 3$ W
<b>Currents</b>	Measuring principle	Transformer measurement
	Number of current transformers supplied	3 *1
	Current transformer Cable bushing	$\varnothing 10,2$ mm *2
	Current measuring range	30 mA ... 63 A
	Measurement accuracy, typical	2 % *3
	Sampling rate	2000 measurements / 500 ms
<b>KNX</b>	Nominal voltage KNX	30 V DC SELV
	Voltage range KNX	21 ... 31 V DC SELV
	Typical power consumption KNX bus	< 0,3 W
	KNX Medium	TP-256 with long frame support
	KNX Application	as of ETS 5 (latest)
<b>Environmental conditions</b>	Ambient operating temperature	0 ... 45 °C
	Storage	-20 ... +55 °C
	Humidity	< 95 %
	Condensation permissible	No

## Technical data:

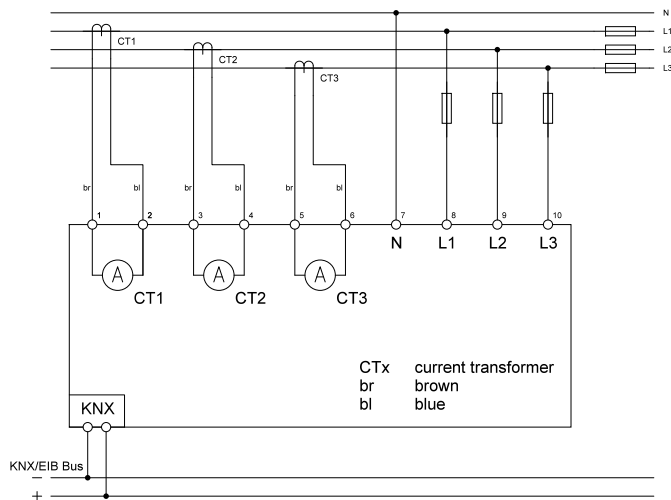
<b>Connections</b>	Connection type	Screw terminal with slotted head
	Conductor cross section 1 x	0,5 ... 4 mm <sup>2</sup>
	Screw terminal tightening torque	0.5 Nm
	KNX connection type	KNX terminal
	KNX cable cross section	0.6 ... 0.8 mm, solid conductor

\*1 Only the included split core current transformers Typ MDT EZ-063TRA are to be used. An "open protect" function is integrated within the MDT current transformers. The length of the attached cable on the current transformers is 650 mm and may not be extended.

\*2 For common trade single wires up to 16 mm<sup>2</sup>. Larger cross sections or specific wire insulation are to be checked before the installation.

\*3 Applicable for currents > 100 mA. Strong inharmonic loads may cause a measurement deviation.

## Wiring diagram:



## Dimensional drawing: fold-over current transformer

