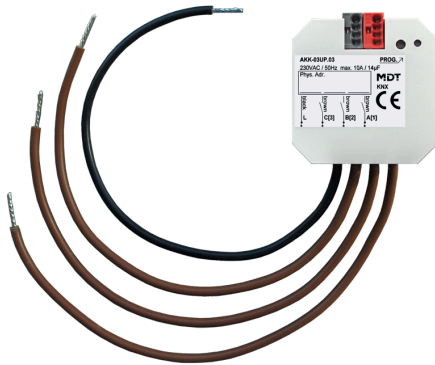


AKK-03UP.03

KNX Switch Actuator 3-channel, flush mounted, 10 A, 14 μ F, 2ECG, 230VAV, Fan coil



Product description:

The compact 3 channel MDT Switch Actuator AKK additionally has a "Fan Coil" functionality. This enables the automatic and manual control of ventilators or fan coils with up to 4 steps. The maximum switching capacity is 16 A and 70 μ F C-Load

Product functions:

- **Operation mode - Fan coil:**
- Control of 3-step ventilators/Fan coil units
- Outputs interlocked against each other (software control)
- Direct operation over three 1 Bit objects or single 1 Bit object (+/-)
- Automatic operation via 1 Byte control value (0-100 %)
- Suitable for 2-pipe/4-pipe systems
- Output object to control heating-/cooling valves
- Day/Night function to limit the ventilation steps at night
- Emergency operation on failure of the control value
- **Operation mode - Switch Actuator:**
- Normally open and normally closed
- Time functions (switch-on / switch-off delay)
- Staircase light function with selectable pre-warning time
- Status feedback for all channels (active/passive)
- Logical functions, 8 scenes per channel
- Central functions and blocking objects for forced operation
- Behaviour on Bus power reset selectable
- For installation in a fan coil unit/junction box
- Dimensions (H x W x D): 41 x 41 x 22 mm
- Fast application download (long frame support as of ETS 5)

Technical data:

Device	Device type	AKK Switch Actuator
	Article Number	AKK-03UP.03
	EAN / GTIN	4251916130213
	Dimensions (H x W x D)	41 x 41 x 22 mm
	Weight, gross (incl. packaging)	0.068 kg
	Protection classification	IP20
	Installation type	Flush mounted
	Installation position	any
	Weight, net	0.05 kg
	Mechanical manual override	No
Performance data	Nominal voltage U_n	230 V AC ^{*1}
	Nominal current I_n (per output)	10 A
	Nominal frequency	50/60 Hz
	Relay type	monostable
	Mech. switching frequency	1.000.000
	Capacitive load	14 μ F / 10 A
	Power dissipation of the device, typical	\leq 3 W
Outputs	Number of outputs	3
Lamp data	Incandescent lamp load	1500 W
	HV-Halogen lamps	1200 W
	NV-Halogen lamps	500 W
	Fluorescent lamp uncompensated	500 W
	Fluorescent lamp parallel compensation	120 W
	Max. number of ECG	2
Currents	Inrush current (150 μ s)	150 A
	Inrush current (600 μ s)	50 A
	Total current carrying capacity of the actuator	16 A
KNX	Nominal voltage KNX	30 V DC SELV
	Voltage range KNX	21 ... 31 V DC SELV
	Typical power consumption KNX bus	< 0,3 W
	KNX Medium	TP-256 with long frame support
	KNX Application	as of ETS 4
Environmental conditions	Ambient operating temperature	0 ... 45 °C
	Storage	-20 ... +55 °C
	Humidity	< 95 %
	Condensation permissible	No

Technical data:

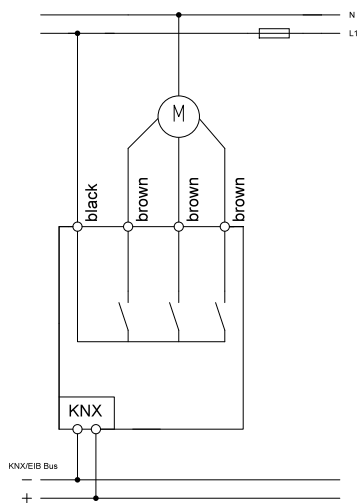
Connections	Connection type	Connection wire 1.5 mm ²
	Length of the connection cable	19 cm
	KNX connection type	KNX terminal
	KNX cable cross section	0.6 ... 0.8 mm, solid conductor

Hinweise

Protection against induced voltage spikes: To protect against voltage spikes when switching off inductive loads, it is recommended to use appropriate protective circuits such as flyback diodes, RC networks, or varistors directly at the actuator output.

*1 Mixed operation of nominal and safety extra low voltage (SELV) within the actuator is not permitted!

Wiring diagram: Fan / Fan Coil Unit



Wiring diagram: single channel

