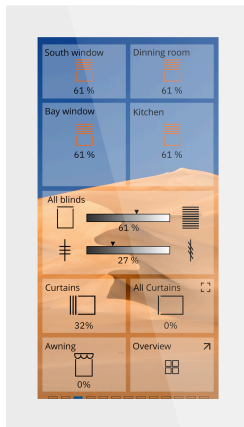


BE-GTSP6TW.01S

KNX Glass Touch Smart Plus 6 inch, KNX Data Secure, white



Product description:

„As individual as you are“ is the motto of the capacitive multi-functional Glass Touch Smart with its high-resolution 6-inch TFT colour display. The elegant and individual design options of the display are impressive. Can be installed horizontally or vertically. Up to 64 functions can be visualised on independent levels and up to 12 statuses can be shown in standby operation.

Plus version: With time switch, loudspeaker, 2 binary inputs, circumferential RGBW background illumination, code lock function (4 users).

Product functions:

- Multifunctional push-button with capacitive, high-resolution 6-inch TFT-colour display (1440 x 720 Pixel)
- Elegant and detailed design, combining glass and brushed aluminium
- Intuitive user interface for straightforward control of room functions
- Circumferential RGBW-background illumination to signal individual operational status, alarms and orientation light
- Up to 64 functions on independent levels and 12 statuses in standby
- Room functions: switching, dimming, tunable white, HSV, RGB, RGBW, sun shading, HVAC
- Shortcut function (to a specific level)
- Two comfortable room temperature controllers and temperature sensor for heating and cooling operation
- Logic functions, scene control, innovative group control
- Display of status information (1 Bit) and notification (14 Byte)
- Integrated loudspeaker for acoustical feedback (button press, signalling of alerts)
- Security against unauthorised access through code lock function (4 users)
- Individual customised design according to customer requirements (Logo, Background picture, design colour)
- With anti-theft / anti-dismantling protection
- 2 binary inputs, 1 input for PT1000 sensor
- With 12 time switches
- Installation in a standard switch box (EU, UK, CH, CN)
- KNX Data Secure, integrated Bus coupler
- Dimensions (H x W x D): 92 x 160 x 12.5 mm, horizontally or vertically

■ Requires a 24 V DC auxiliary power supply (e.g. STV-0024.01)
MDT technologies GmbH • Papiermühle 1 • 51766 Engelskirchen • Germany
Telephone +49 (0) 2263 880 • knx@mdt.de • www.mdt.de

Technical data:

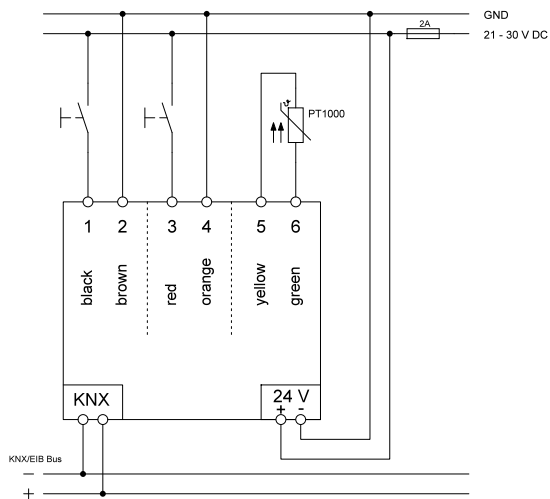
Device	Device type	BE Glass Push-button
	Article Number	BE-GTSP6TW.01S
	EAN / GTIN	4251916114077
	Colour	White
	Display	Capacitive 6-inch TFT display
	Resolution	1440 x 720 Pixel
	Dimensions (H x W x D)	92 x 160 x 12.5 mm
	Weight, gross (incl. packaging)	0.315 kg
	Protection classification	IP20
	Installation type	Flush mounted
	Installation depth in switch box	22 mm
	Included carrying ring	Installation plate with anti-theft/anti-dismantling protection
	Recommended installation height	1.6 m
	Installation position	horizontal + vertical
	Number of functions	64
Weight, net	0.196 kg	
Operation	Code lock function	Yes, 4 user
Inputs	Number of binary inputs	2
	Input voltage	24 V DC *1
	Length of the input lines	21 cm
	Permissible total cable length	100 m
	Measuring range for temperature	0 ... 40 °C
	Accuracy of temperature measurement, typical	± 0,5 °C
Outputs	Number of integrated temperature controllers	2
	Room temperature control range	7 ... 35 °C
	Circumferential background illumination	RGBW
	Loudspeaker	Yes
	Orientation light function	Yes
KNX	Nominal voltage KNX	30 V DC SELV
	Voltage range KNX	21 ... 31 V DC SELV
	Typical power consumption KNX bus	< 0,15 W
	KNX Medium	TP-256 with long frame support
	KNX Application	as of ETS 5 (latest)
	KNX Secure	KNX Data Secure
	Auxiliary voltage	21 ... 30 V DC, SELV
	Power consumption auxiliary voltage	< 4 W

Technical data:

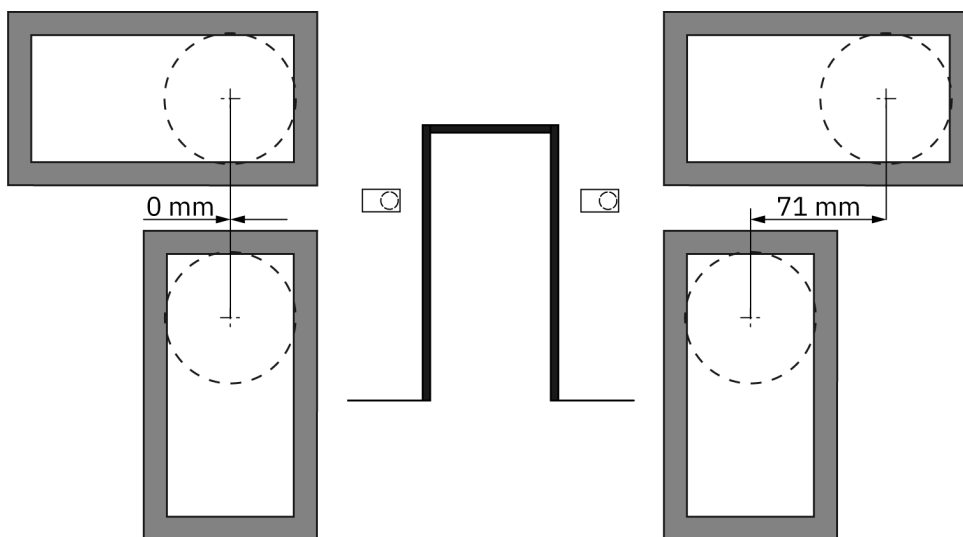
Environmental conditions	Ambient operating temperature	0 ... 45 °C
	Storage	-20 ... +55 °C
	Humidity	< 95 %
	Condensation permissible	No
Connections	KNX connection type	KNX terminal
	KNX cable cross section	0.6 ... 0.8 mm, solid conductor

*1 Galvanic isolation to the KNX bus

Wiring diagram:



Installation box position:



Dimensional drawing:

